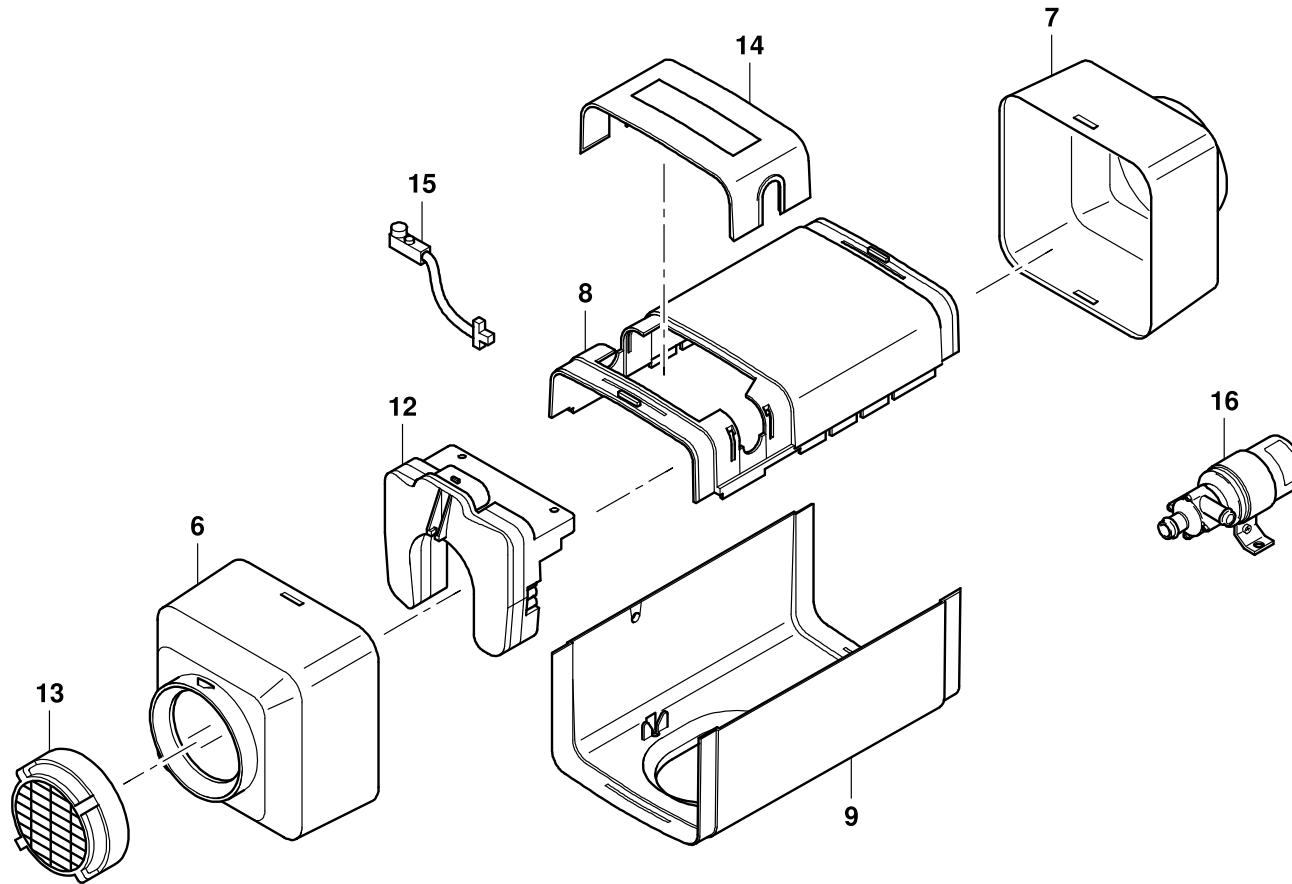


**GROVE**<sup>®</sup>LUFTHEIZGERAET  
AIR HEATING DEVICEBILDTADEL  
PICTORIAL DISPLAY**GMK 3050**  
**BE 630**  
**G 237**

01.11

**3200206-ETL A**

1/2



**GROVE**LUFTHEIZGERAET  
AIR HEATING DEVICEBILDTADEL  
PICTORIAL DISPLAYGMK 3050  
BE 630  
G 237

01.11

3200206-ETL A

2/2

